



Table Stand

• 12.1653 TS-DC

MOUNTING
MADE EASY



Scan me



2023-04-06

00.5011~D

Sicherheitshinweise
Safety Instructions



Montage
Assembly Instructions

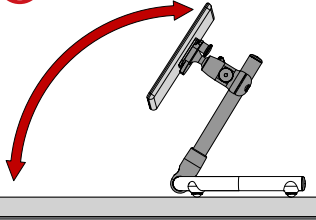
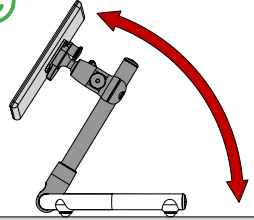
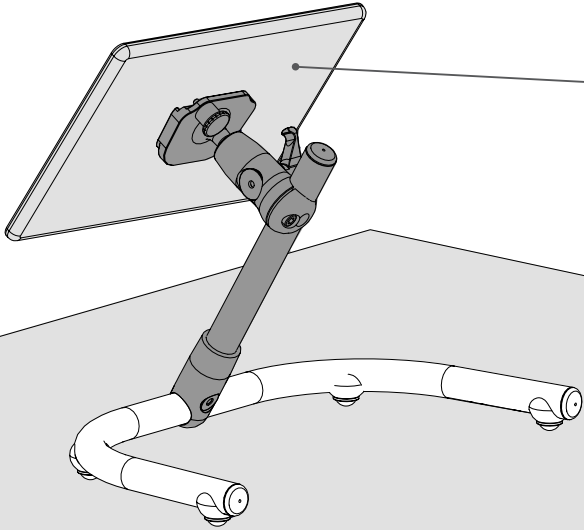


Handhabung
Handling

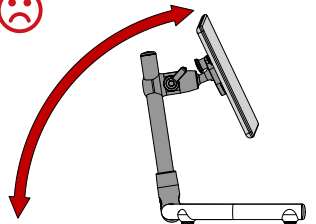
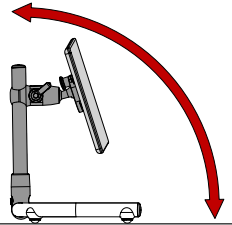
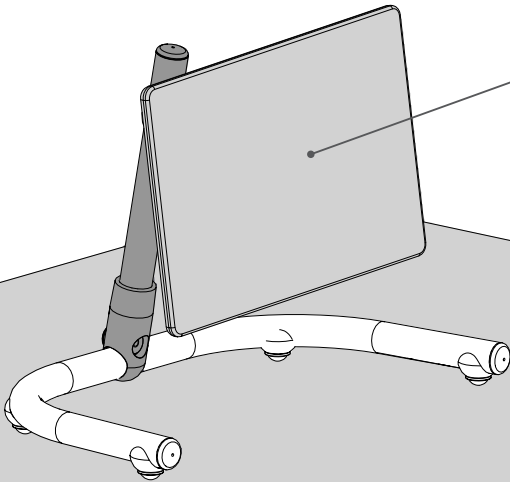


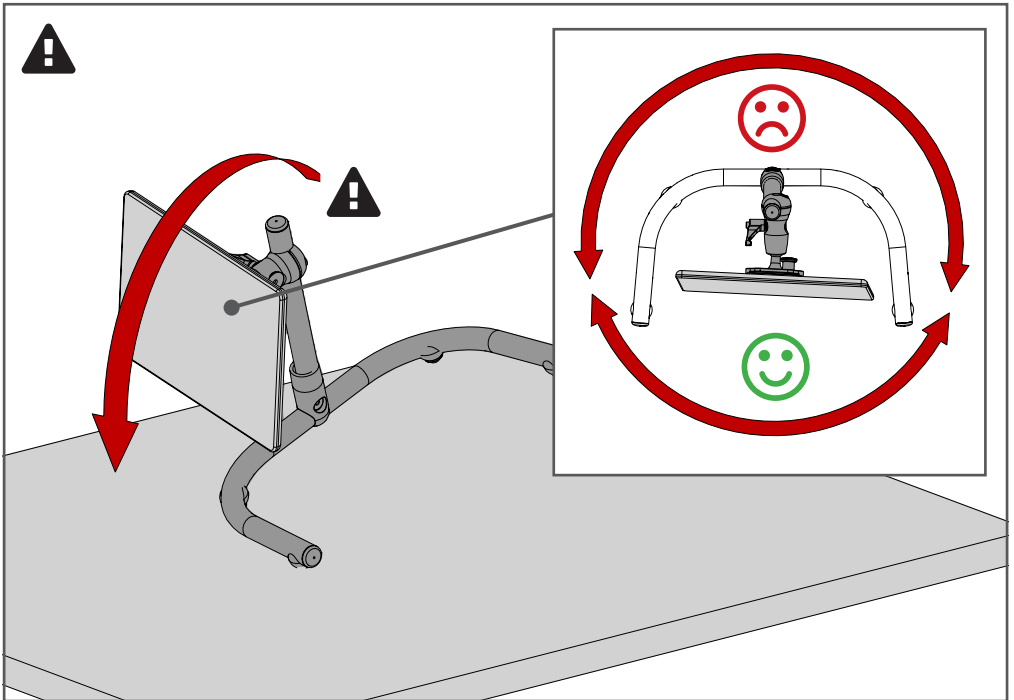
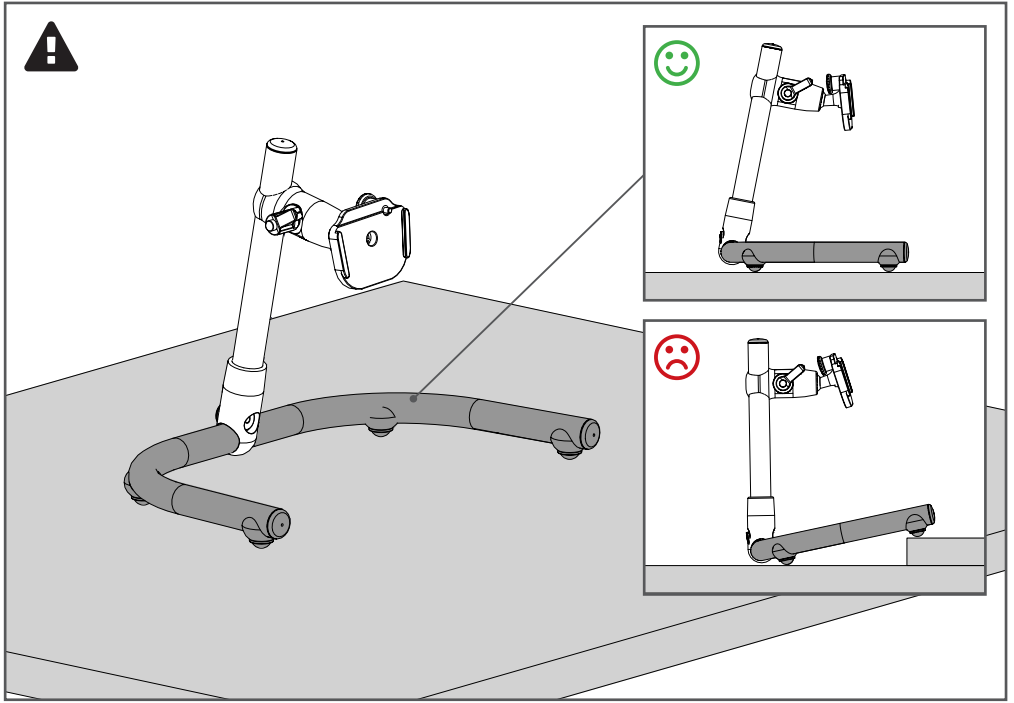


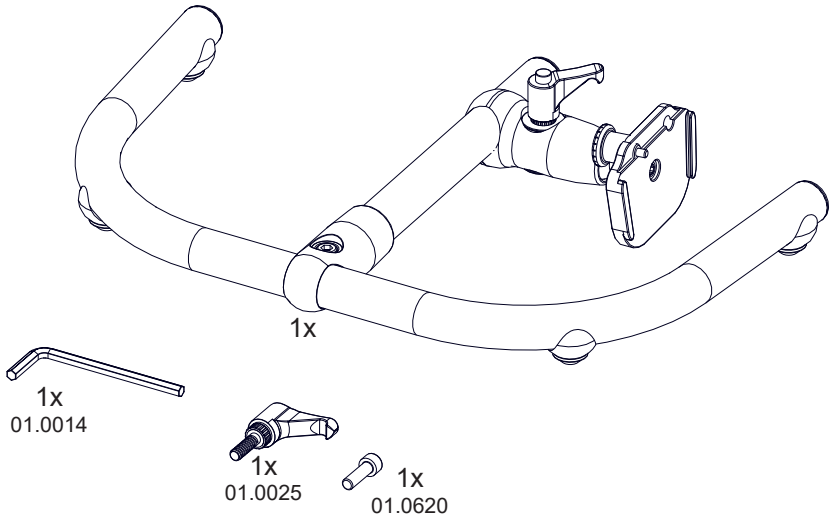
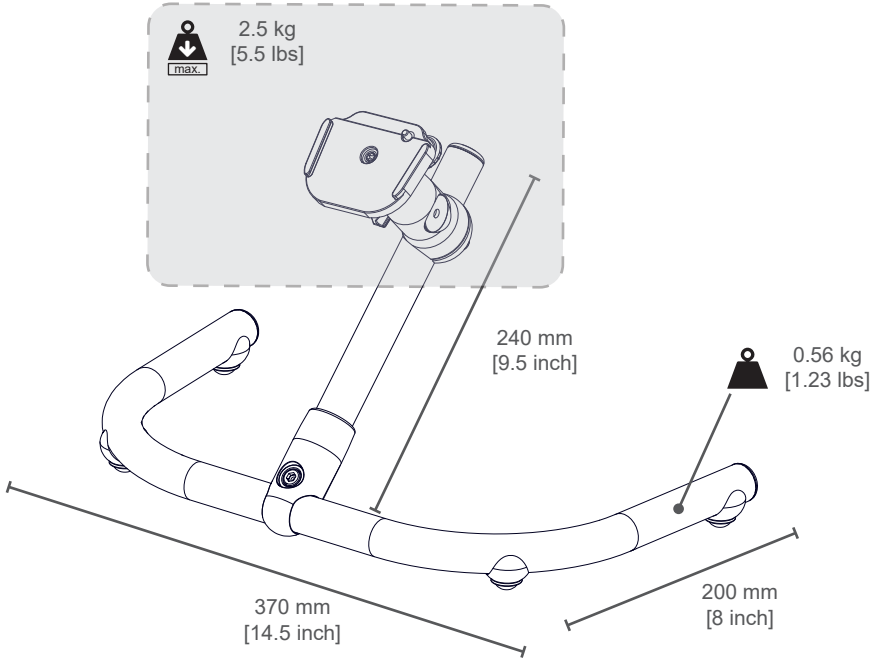
Position 1



Position 2



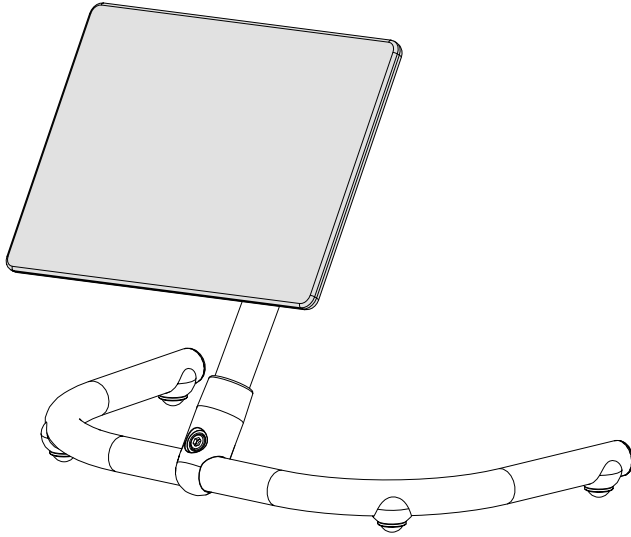






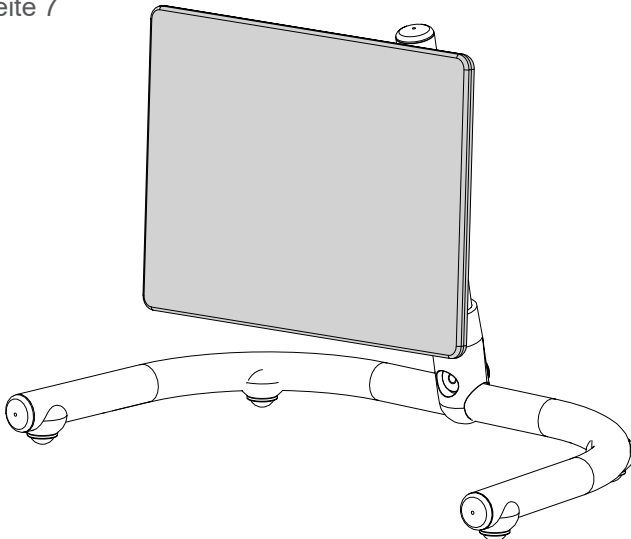
Position 1

Page 6
Seite 6

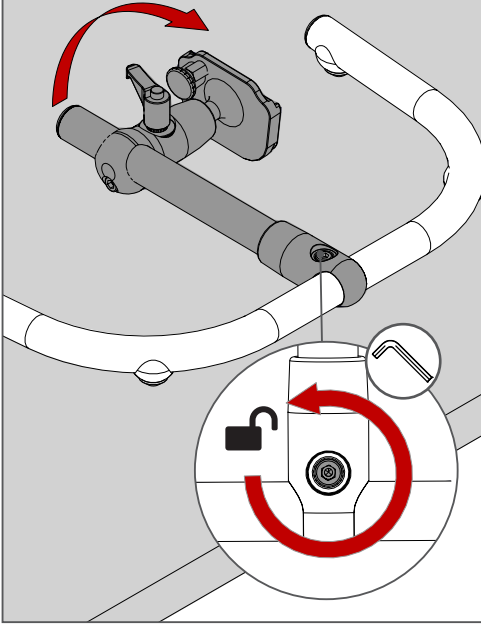


Position 2

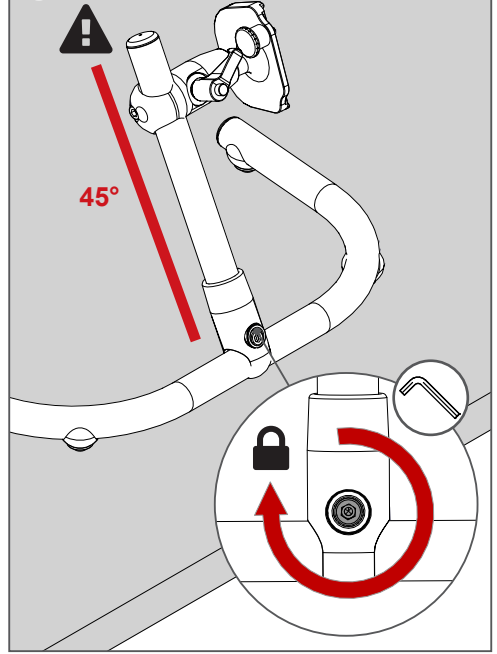
Page 7
Seite 7



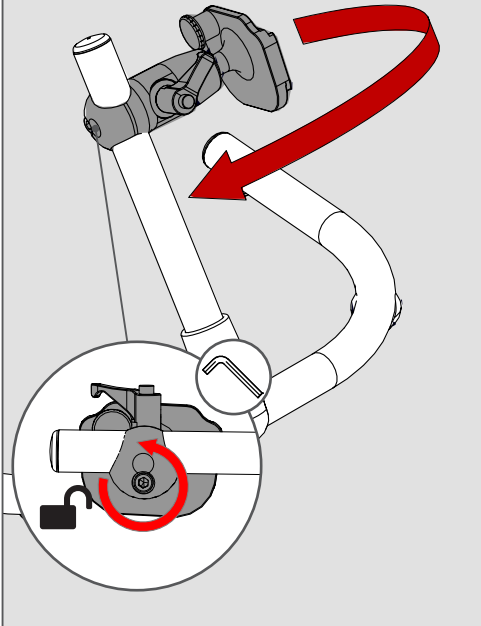
1 Position 1



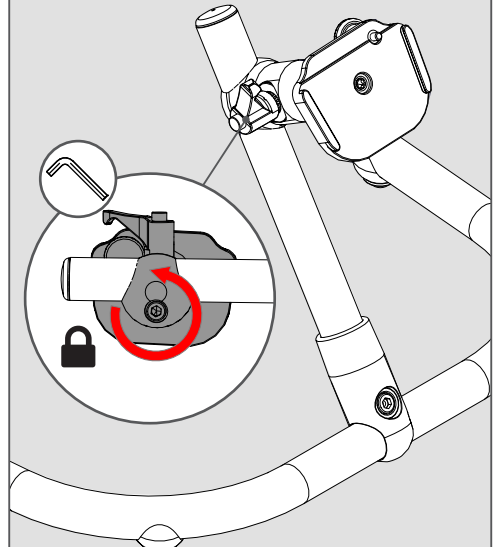
2

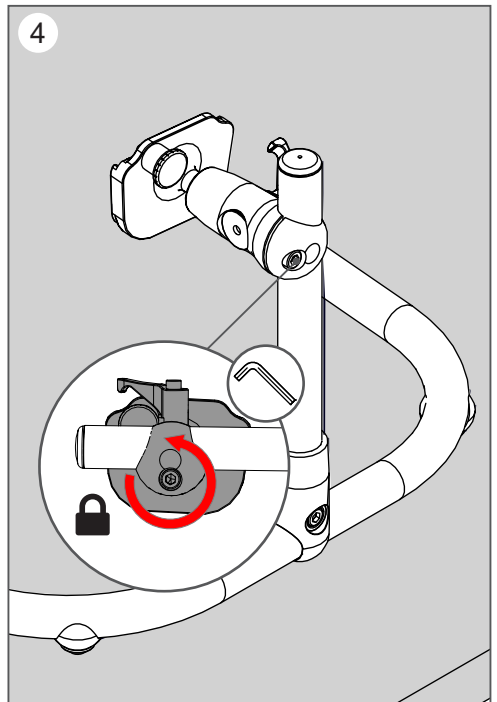
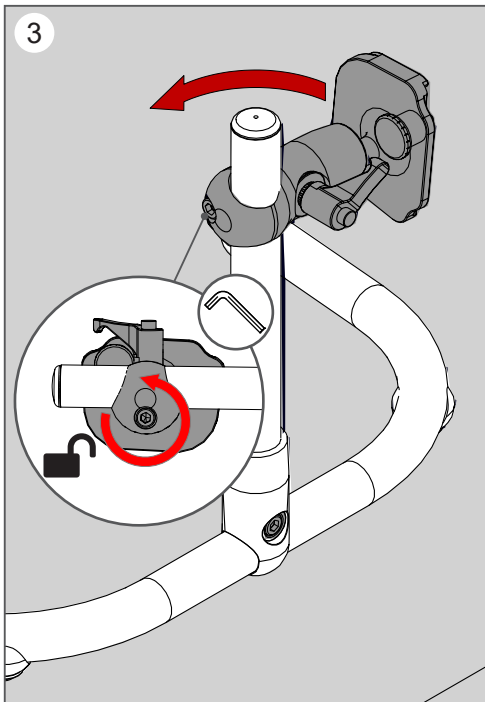
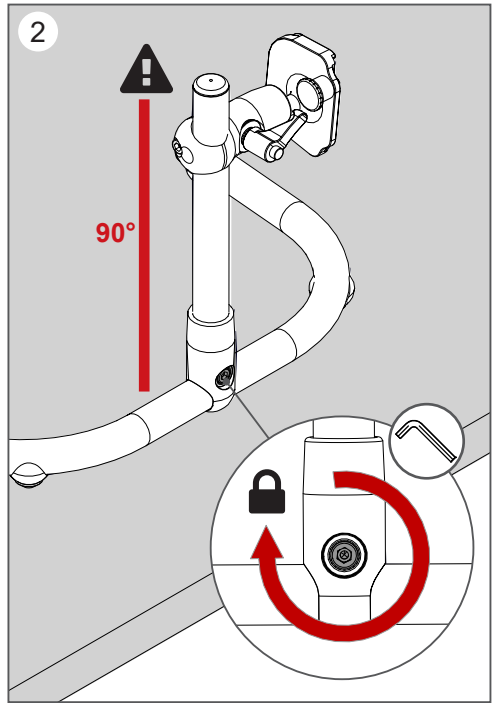
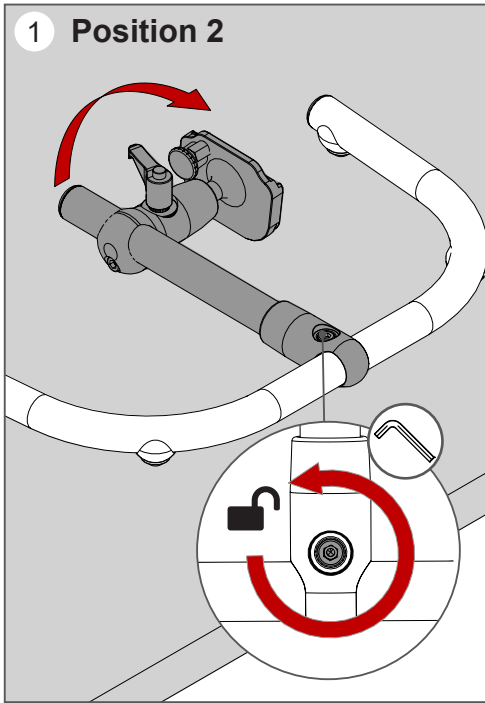


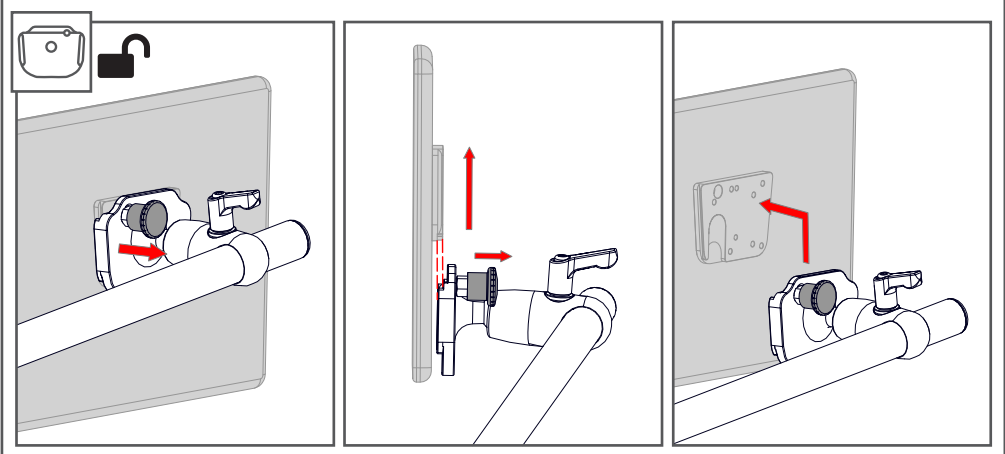
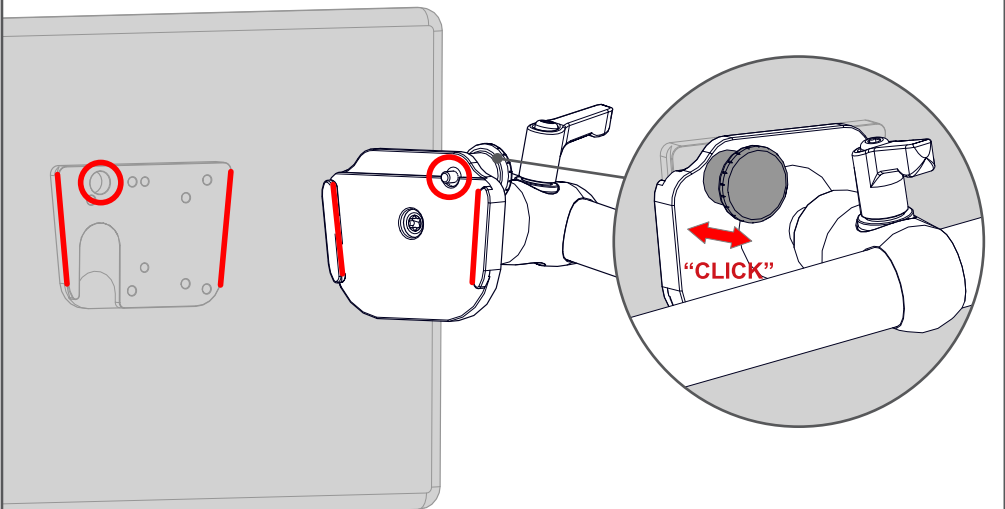
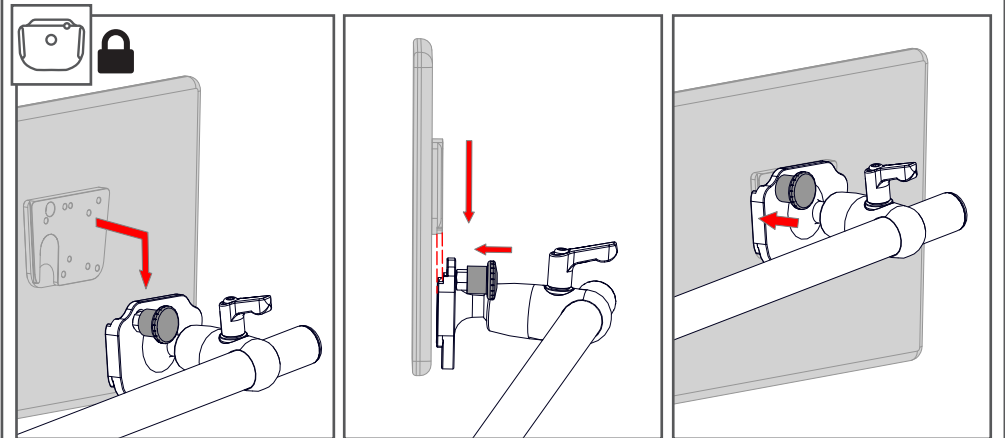
3

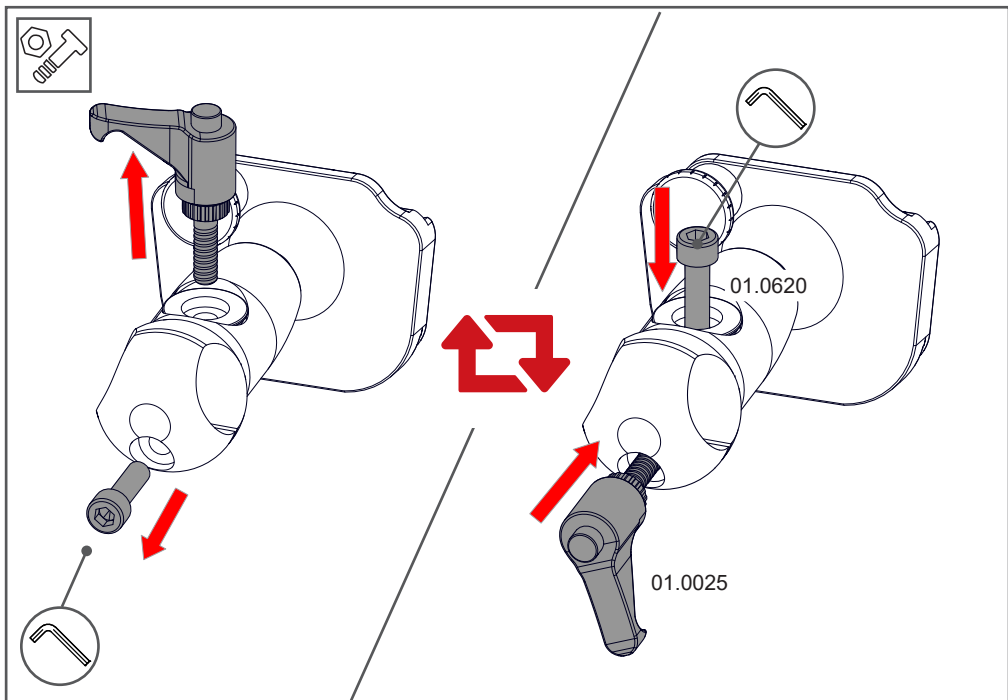
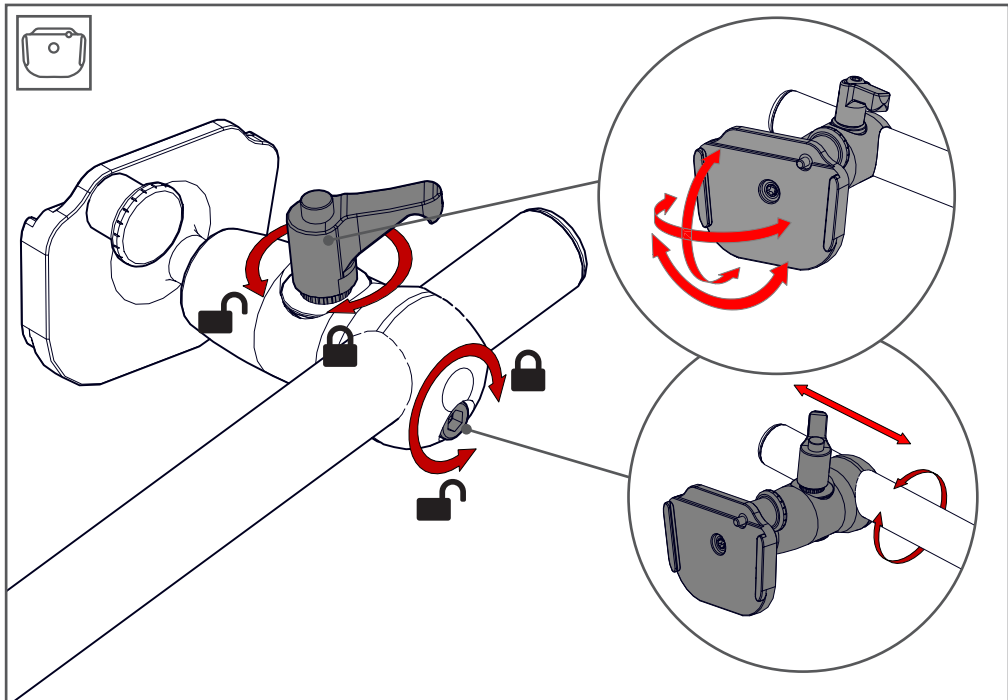


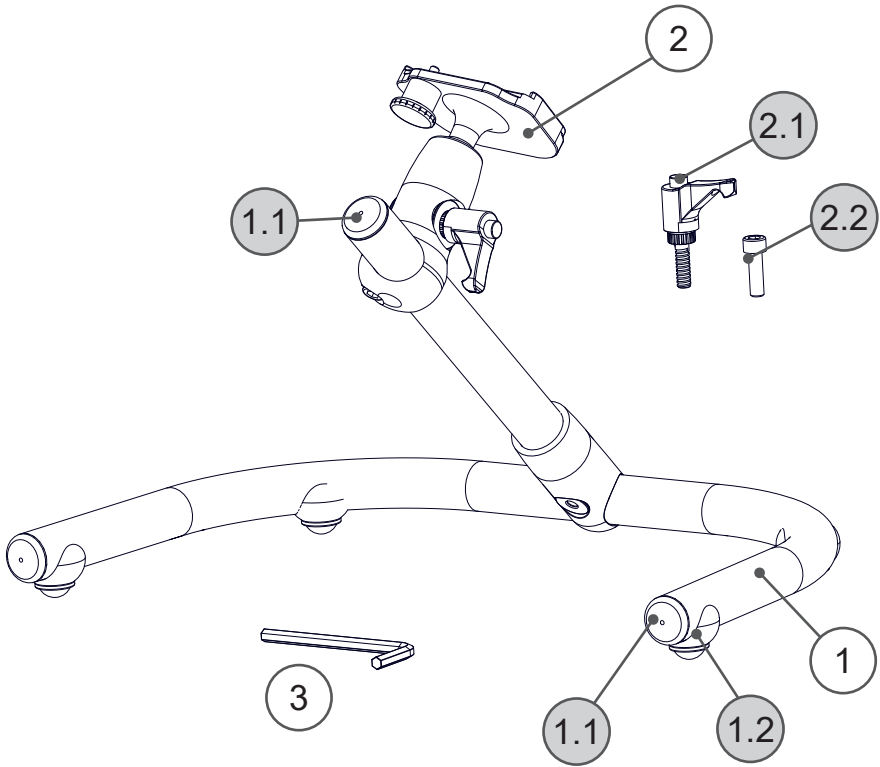
4





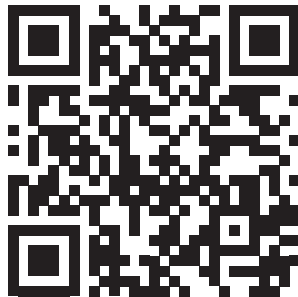






Pos.	No.	Bezeichnung	Description
1		Basis	Base
1.1	01.5999	Rohrstopfen Ø22mm schwarz	Cap for Ø22mm tube black
1.2	01.0106	Fuß für TS	Foot for TS
2	16.1051	UGA 22-DC	UDS 22-DC
2.1	01.0025	Klemmhebel M6x20	Lever M6x20
2.2	01.0620	Zylinderschraube M6x20	Cylinder head bolt M6x20
3	01.0014	Innensechskantschlüssel 5 mm	Allen wrench 5mm

We ♥ your
feedback



Rehadapt Engineering
GmbH & Co. KG

📖 Heinrich-Hertz-Str. 104
34123 Kassel, Germany

☎ Tel.: +49 561 220 717 0
📠 Fax: +49 561 220 717 99

✉ officeteam@rehadapt.com
🌐 <https://rehadapt.com>



Rehadapt
North America

📖 40 Oser Ave, Suite 40-01
Hauppauge, NY 11788

☎ Tel.: 1 (888) 635-6962
📠 Fax: 1 (888) 635-6962

✉ officeteam.na@rehadapt.com
🌐 <https://rehadapt.com>