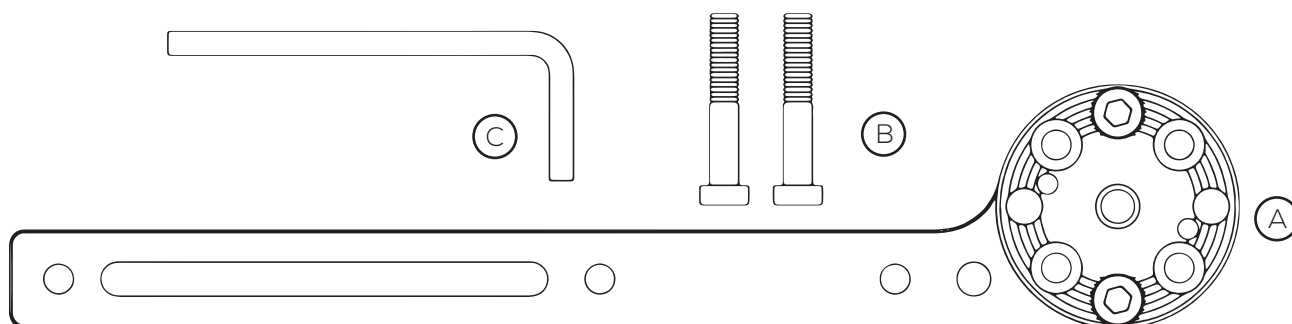


MOUNTING INSTRUCTION

Name: Monty 3D-RKL-M6

Model Number: #11.1073

Instruction ID: #00.5098_A



Mounting kit / Montageset

- (A) = 1x RKL-M6 Adapter
- (B) = 2x Screw / Schraube M6x35
- (C) = 1x Allen Key / Inbusschlüssel



Mounting spot / Montage Punkt

