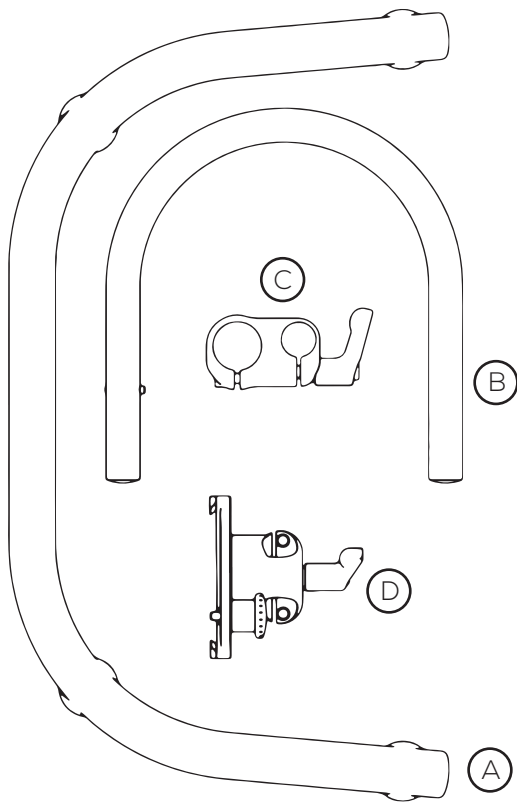


ASSEMBLY INSTRUCTIONS

Name: TS-UC

Model Number: #12.1650

Instructions ID: #00.5096_A



Mounting kit / Montageset

- Ⓐ = 1x base / Fuß
- Ⓑ = 1x U-tube / U-Rohr
- Ⓒ = 1x joint / Gelenk
- Ⓓ = 1x UDS / UGA

1



2



Inclined position / Schräge Position



