

Name: Monty 3D-Permobil UniTrack

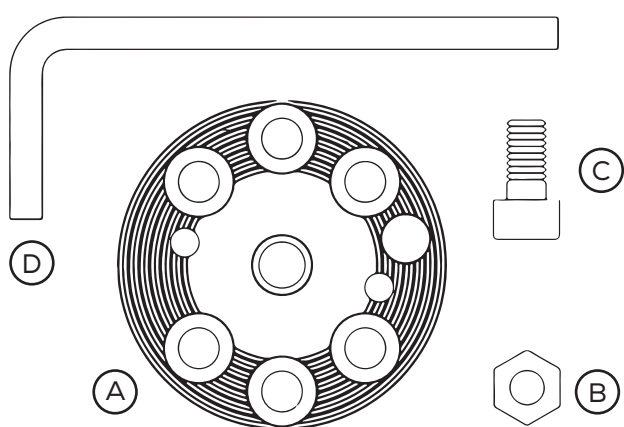
Model Number: #11.1068

Instructions ID: #00.5007_E

i Mounting kit / Montageset

(A) = 1x Adapter (C) = 4x M6x12
Screw/Schraube

(B) = 4x M6 Nut/Mutter (D) = **not included/
nicht inklusive**



i Mounting spot / Montage Punkt

