



Table Clamp

• 14.5554

L3D MC 1QS
Universal Phone
Mounting Kit

Sicherheitshinweise
Safety Instructions



Montage
Assembly Instructions



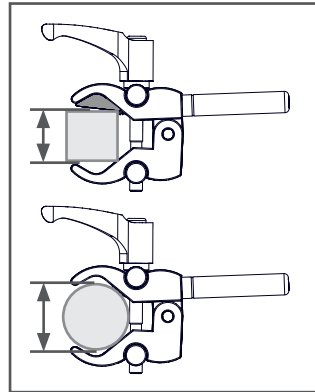
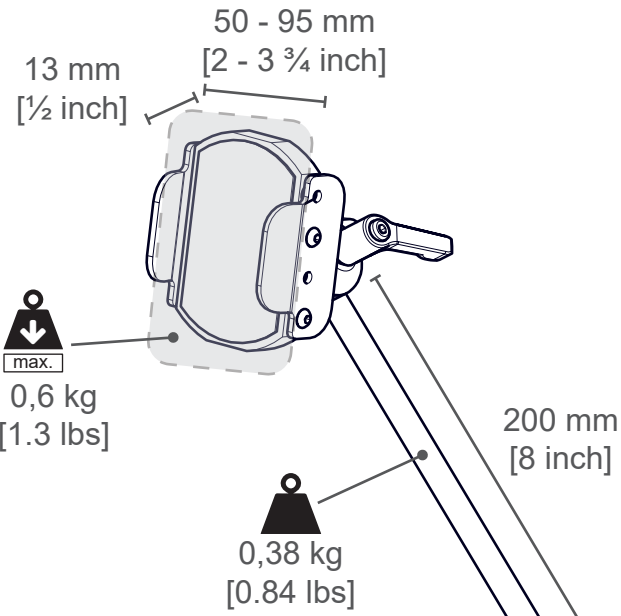
Handhabung
Handling



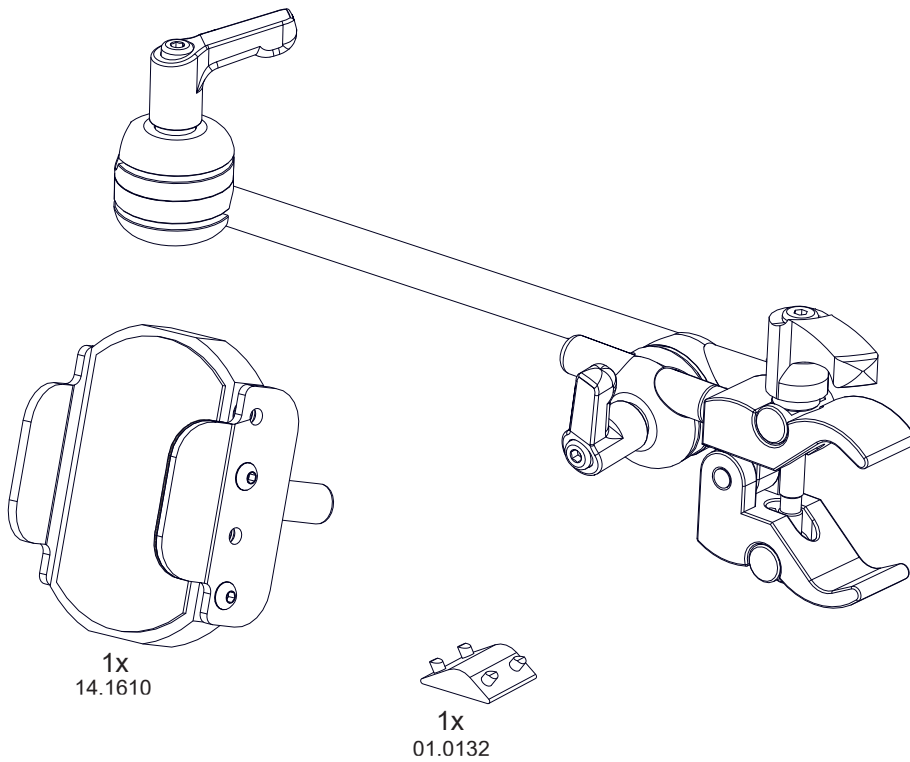
2021-11-01

00.5166~A



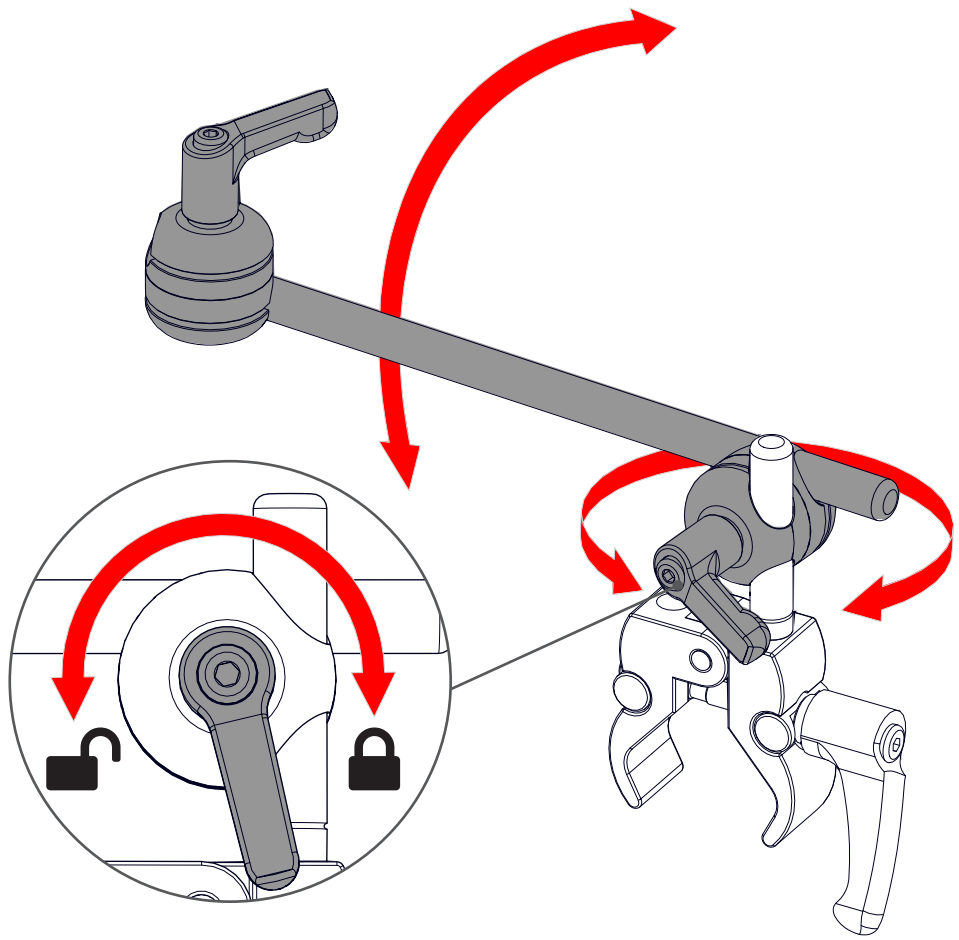


Ø/□
13 - 35 mm
[1/2 - 1 3/8 inch]

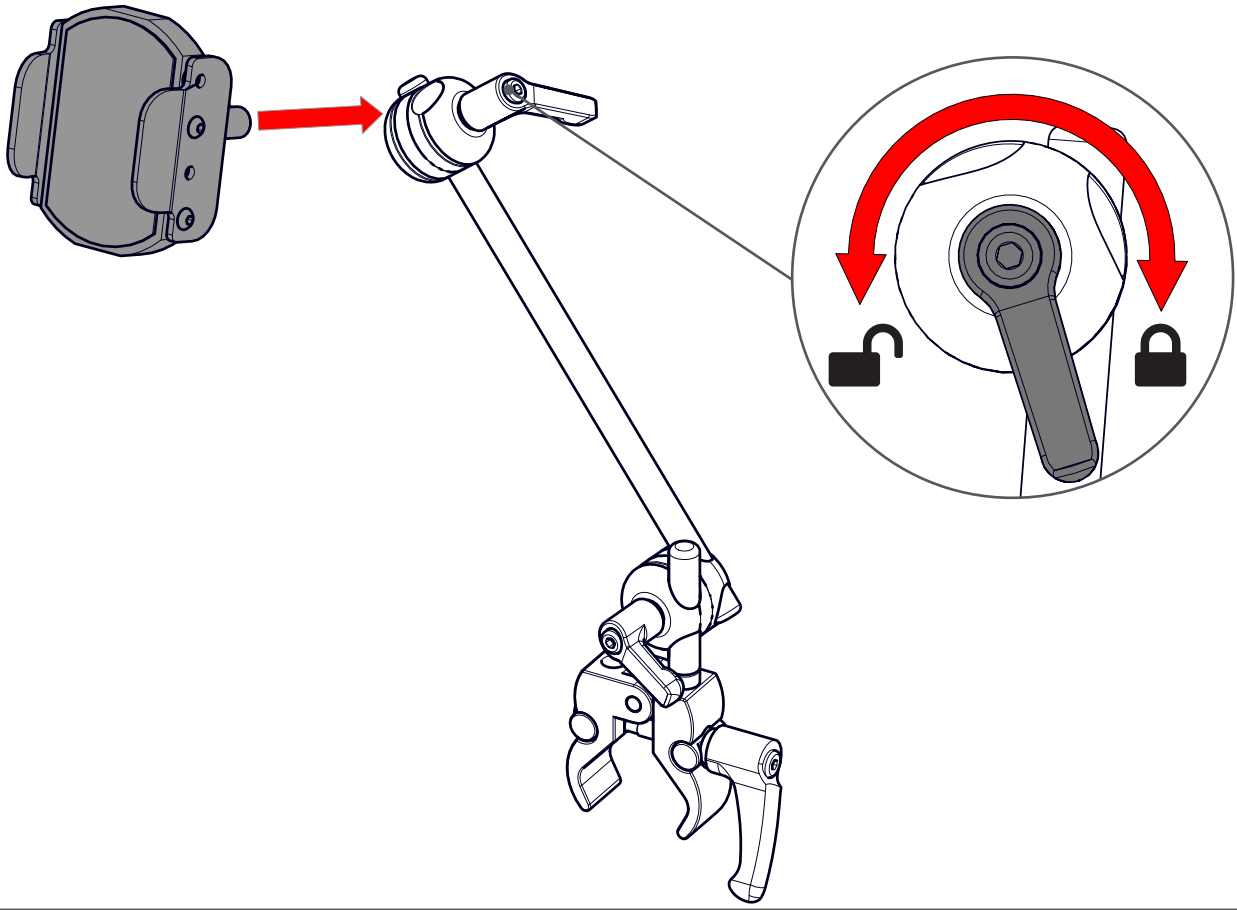




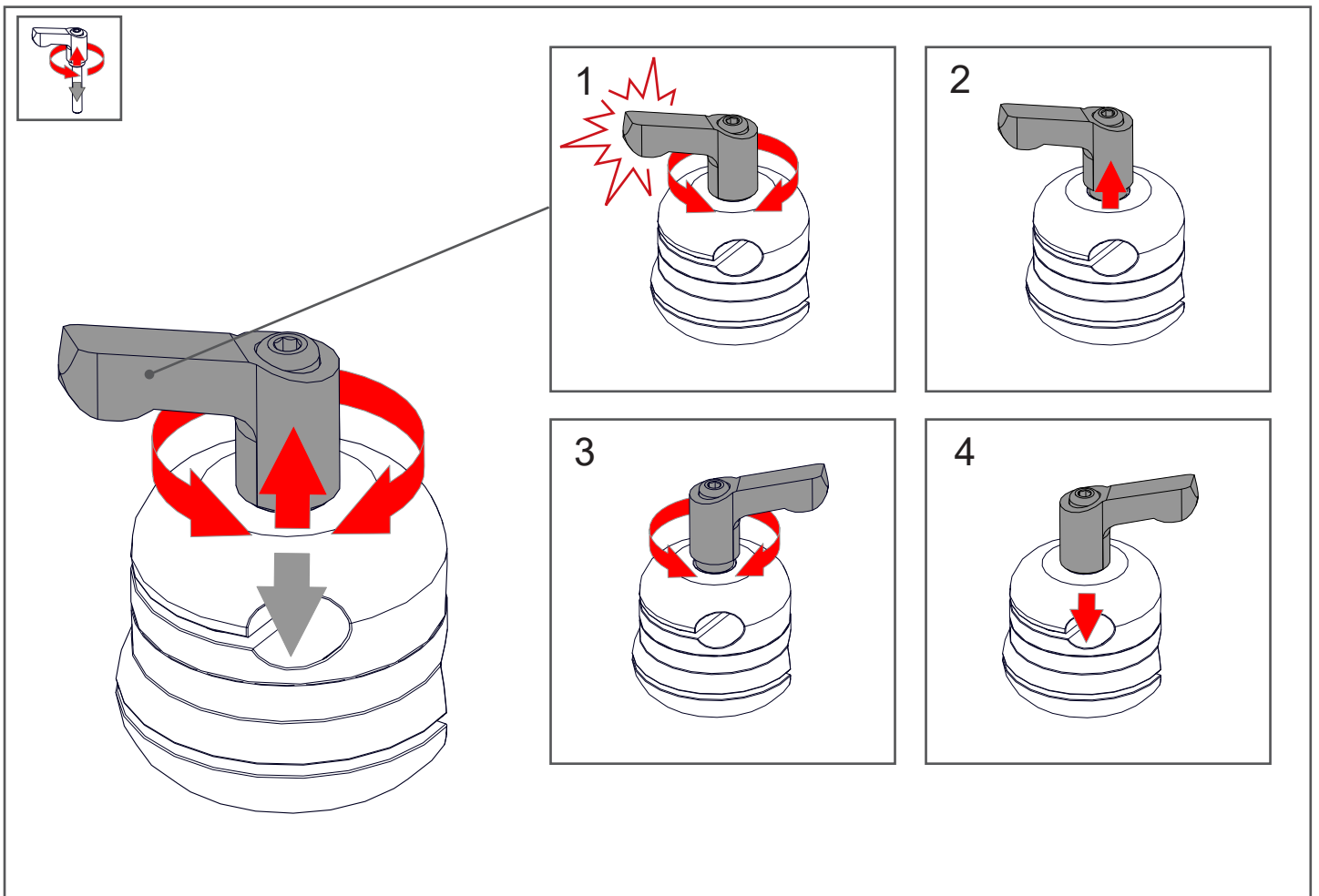
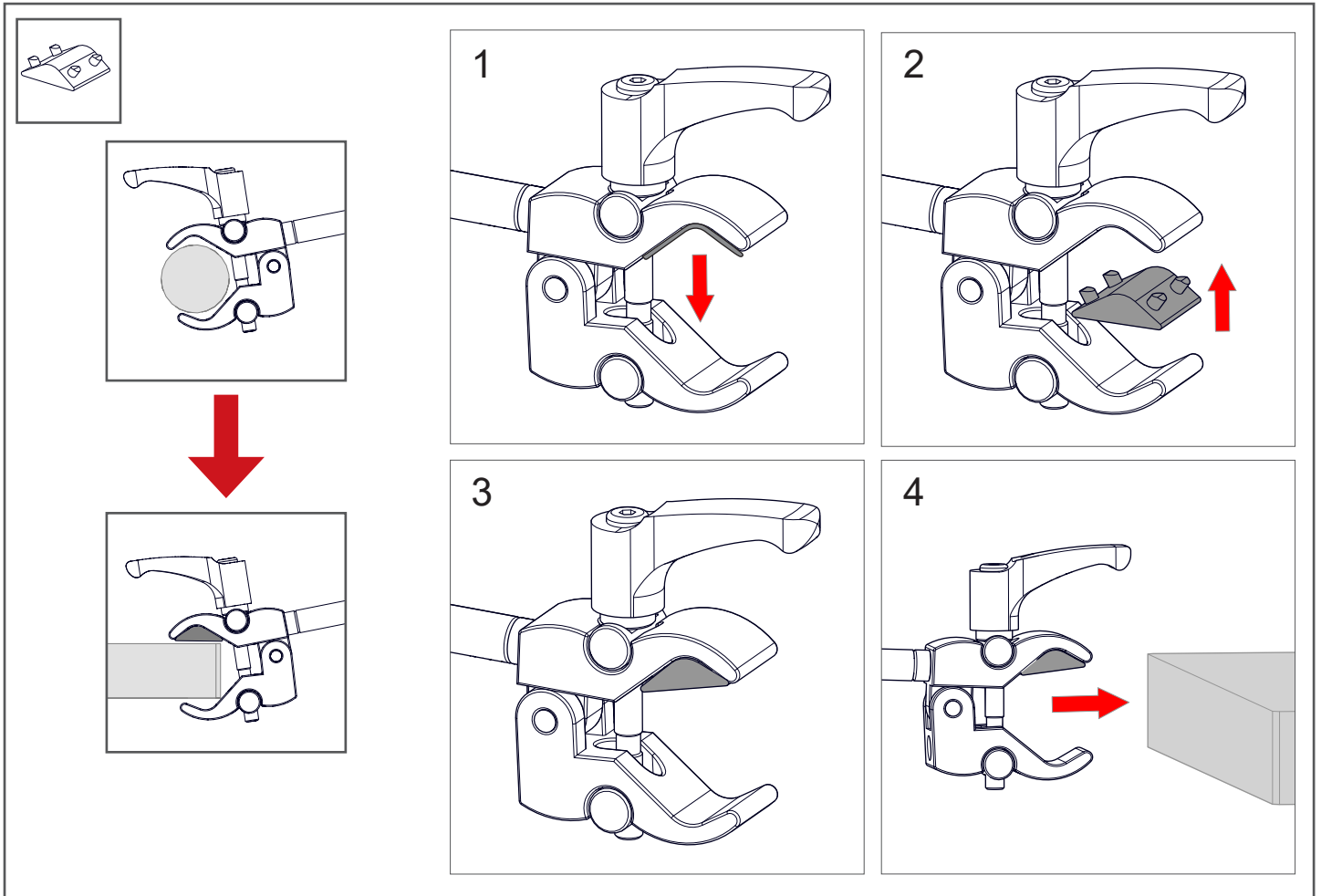
1

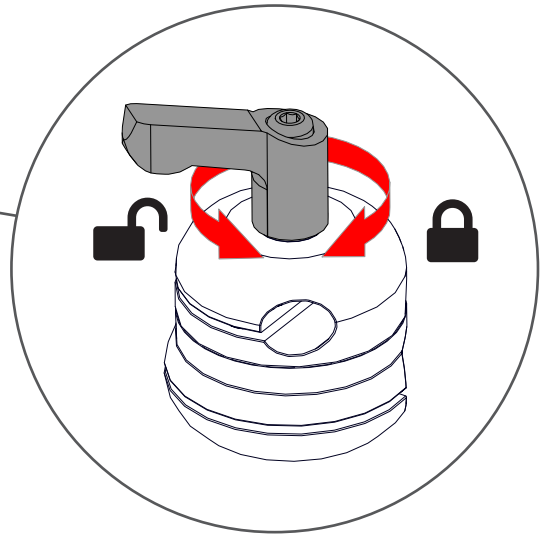
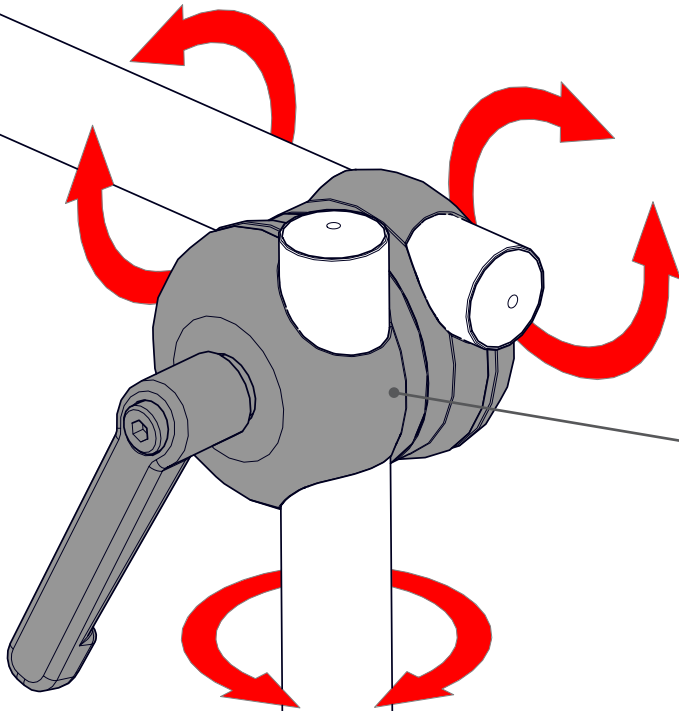


2

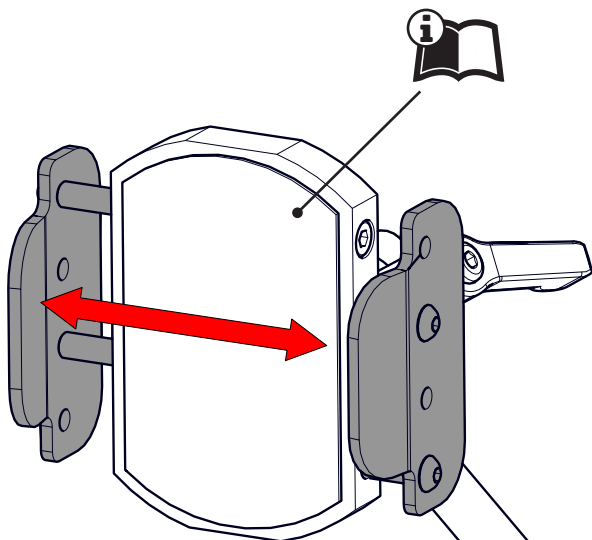


3

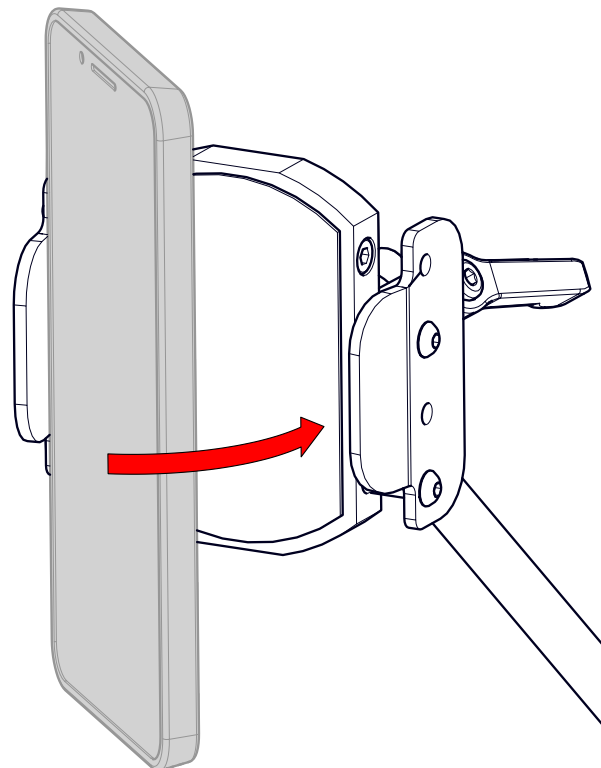


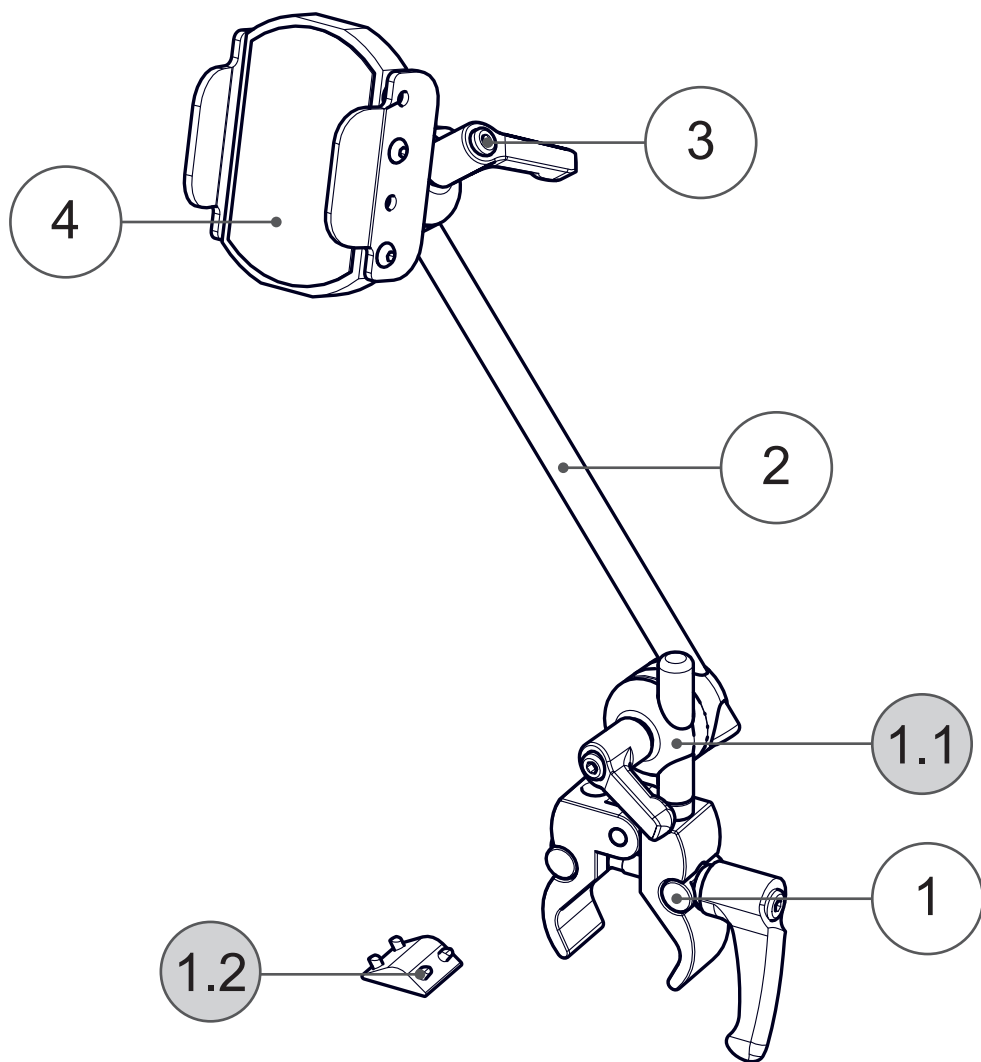


1



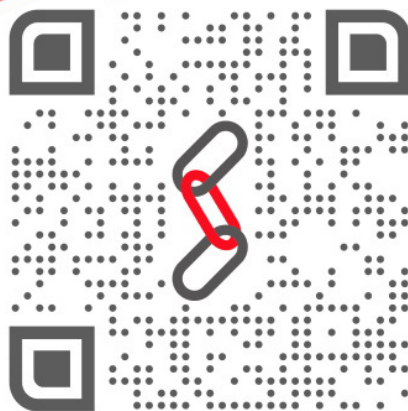
2





Pos.	No.	Bezeichnung	Description
1	14.1174	L3D 10 Miniklemme QS	L3D 10 MiniClamp QS
1.1	14.1252	L3D 10-10 QS	L3D 10-10 QS
1.2	01.0132	Keil für Miniklemme	Wedge for MiniClamp
2	14.9514	Rohr Ø10x200	Tube Ø10x200
3	14.1252	L3D 10-10 QS	L3D 10-10 QS
4	14.1610	L3D GA Universal Phone 50-95mm	L3D GA Universal Phone 50-95mm





Rehadapt Engineering
GmbH & Co. KG

📄 Heinrich-Hertz-Str. 104
34123 Kassel, Germany

☎ Tel.: +49 561 220 717 0
📠 Fax: +49 561 220 717 99

✉ officeteam@rehadapt.com
🌐 <https://rehadapt.com>



Rehadapt
North America

📄 40 Oser Ave, Suite 40-01
Hauppauge, NY 11788, USA

☎ Tel.: 1 (888) 635-6962
📠 Fax: 1 (888) 635-6962

✉ officeteam.na@rehadapt.com
🌐 <https://rehadapt.com>