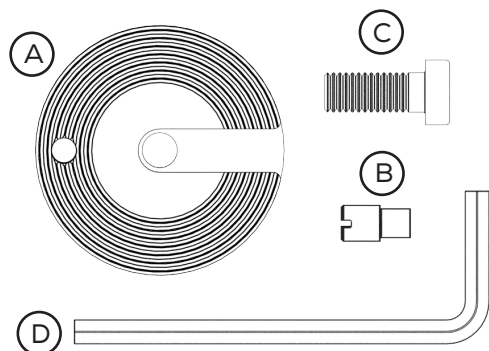


Name: Monty 3D Offset link

Model Number: #11.1525 / #11.1538

Instructions ID: #00.5090\_B



## Mounting kit / Montageset

- (A) = 1x Offset link / Distanzteil
- (B) = 1x Shaft screw / Schaftschraube
- (C) = 1x Screw / Schraube
- (D) = Not included / Nicht Inklusive

